

THIS BULLETIN INCLUDES:

UPDATE ON ALL 742; 848; & 955 GRAPPLES. SHOULD MAKE IT EASIER TO LOOK UP PARTS.

LIST OF NEW REPLACEMENT PARTS BY PART NUMBER FOR THE 120 PRENTICE.

UPDATED ROD BOSS SHEET.

WE HAVE ALSO ADDED REPLACEMENT PISTON & GLANDS FOR THE JOHN DEERE CYLINDERS.

WE NOW STOCK NUTS & BUSHINGS TO GO WITH OUR PINS. CALL FOR SIZE AND TYPE.

REMEMBER TO CALL US FOR PACKING KITS ON ANY MAKE OF EQUIPMENT FORESTRY OR
CONSTRUCTION.

DON'T FORGET THE COMPLETE LINE OF ESCO PARTS INCLUDING THE CYLINDER ASSEMBLIES: 86",
100", & 104" GRAPPLES.

WE ARE STILL LOOKING FOR NEW PARTS, CALL BOBBY JAMES OR EMAIL HIM @

bjames@ind-hyd.com

...THANK YOU FOR YOUR BUSINESS...

INDUSTRIAL HYDRAULICS, INC.
122 CROSSOVER ROAD
P.O. BOX 777
BEULAVILLE, NC 28518

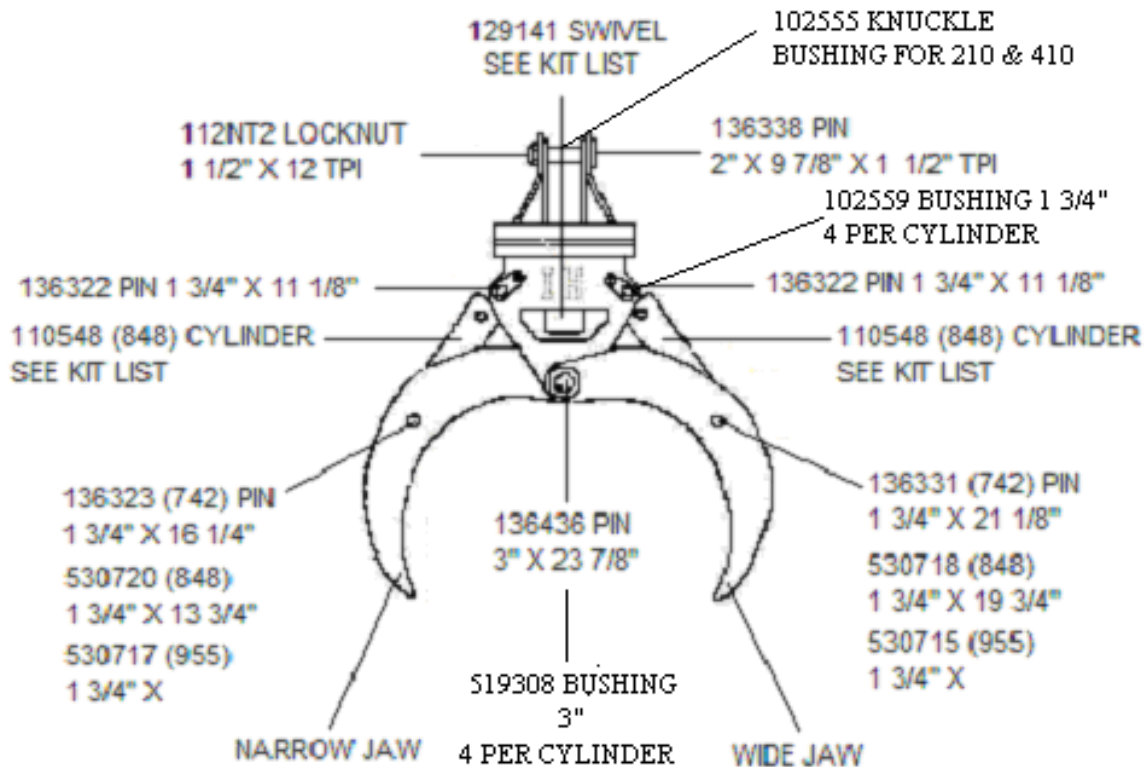
ATTENTION: PARTS MANAGER



PART NUMBERS AND DESCRIPTIONS ARE FOR REFERENCE ONLY!!!

PARTS ARE INTERCHANGEABLE BETWEEN MODELS UNLESS MODEL NUMBER IS LISTED WITH PART ITEM NUMBERS WITH SIZE ARE PARTS THAT WE ARE STOCKING...

742 & 848 & 955 GRAPPLE



GRAPPLE KIT LIST

<u>OEM ASSEMBLY NUMBER</u>	<u>NAME</u>	<u>KIT NUMBER</u>	<u>DESCRIPTION</u>
110358	742 CYLINDER	147770	
110548	848 CYLINDER	147771	4" X 2 1/2" X 12 1/8"
110355	955 CYLINDER	147780	
129141	SWIVEL	10027968	UNIVERSAL
SWIVEL			
10048869	955 SWIVEL	30009633	REPLACE SWIVEL
W/129141			

910-298-5178

910-298-5511

1-800-767-5178

howardcottle@earthlink.net

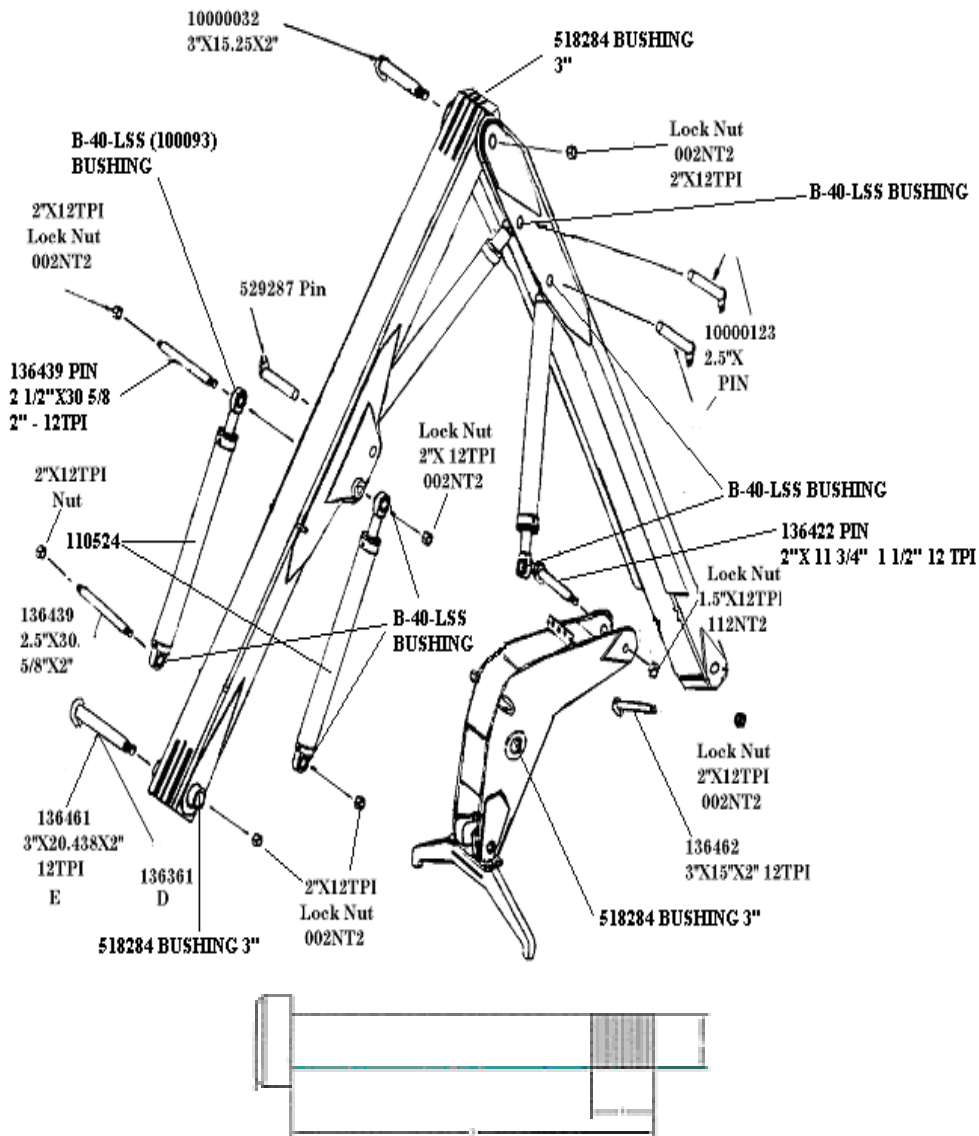
www.industrialhyd.com



PART NUMBERS AND DESCRIPTIONS ARE FOR REFERENCE ONLY!!!

PARTS ARE INTERCHANGEABLE BETWEEN MODELS UNLESS MODEL NUMBER IS LISTED WITH PART ITEM NUMBERS WITH SIZE ARE PARTS THAT WE ARE STOCKING...

210 D & E



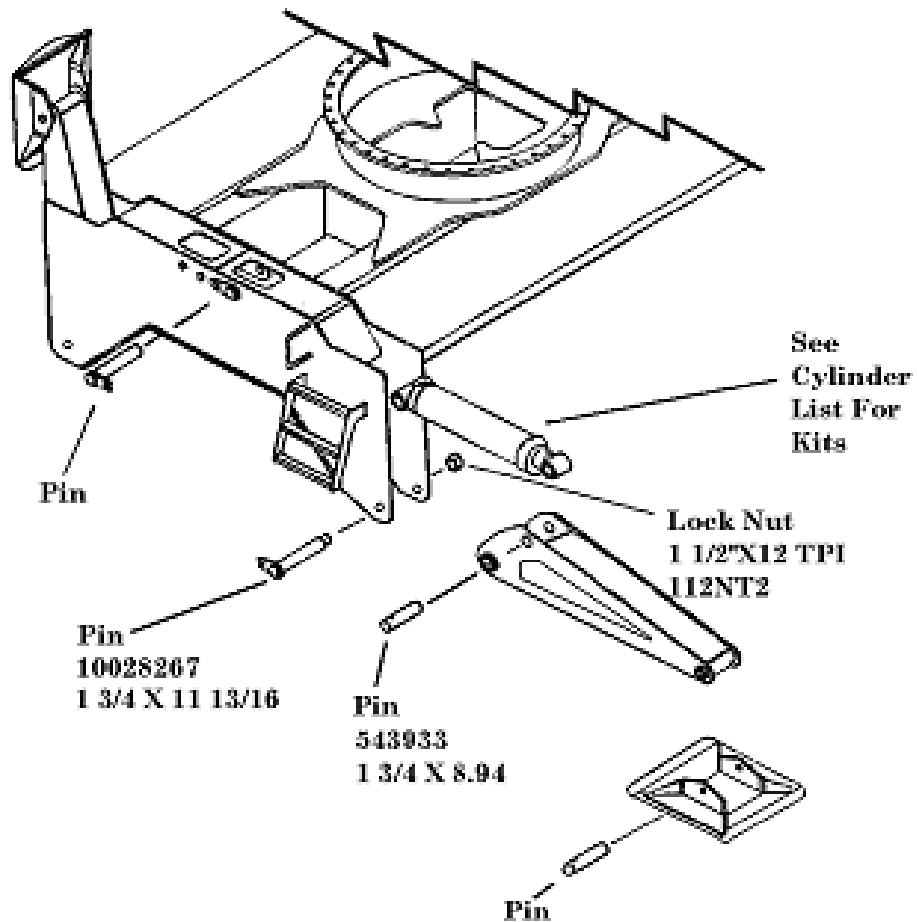
NOTE: PINS ARE MEASURED UNDER HEAD TO END OF PIN!!!



PART NUMBERS AND DESCRIPTIONS ARE FOR REFERENCE ONLY!!!

ITEM NUMBERS WITH SIZE ARE PARTS THAT WE ARE STOCKING...

210D & 210E



STABILIZER CYLINDERS & SEAL KITS

CYLINDER PART NUMBER

10029050
10008600
110551
10071403

910-298-5178

SEAL KIT PART NUMBER

147786
147786
147786
30007107

1-800-767-5178

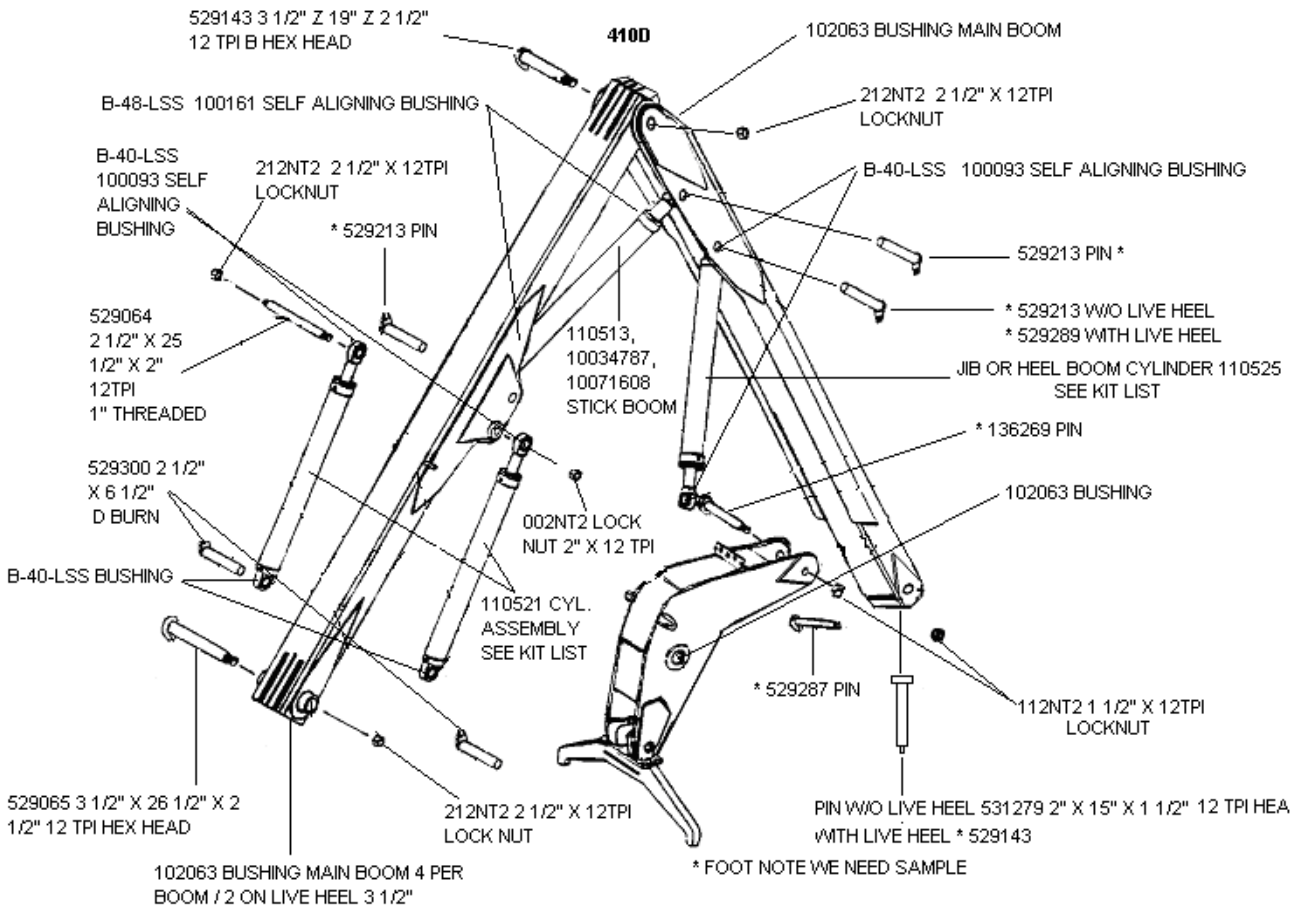
howardcottle@earthlink.net

www.industrialhyd.com



PART NUMBERS AND DESCRIPTIONS ARE FOR REFERENCE ONLY!!!

PARTS ARE INTERCHANGEABLE BETWEEN MODELS UNLESS MODEL NUMBER IS LISTED WITH PART ITEM NUMBERS WITH SIZE ARE PARTS THAT WE ARE STOCKING...



WE MAKE ALL PARTS WITH THE SIZES LISTED

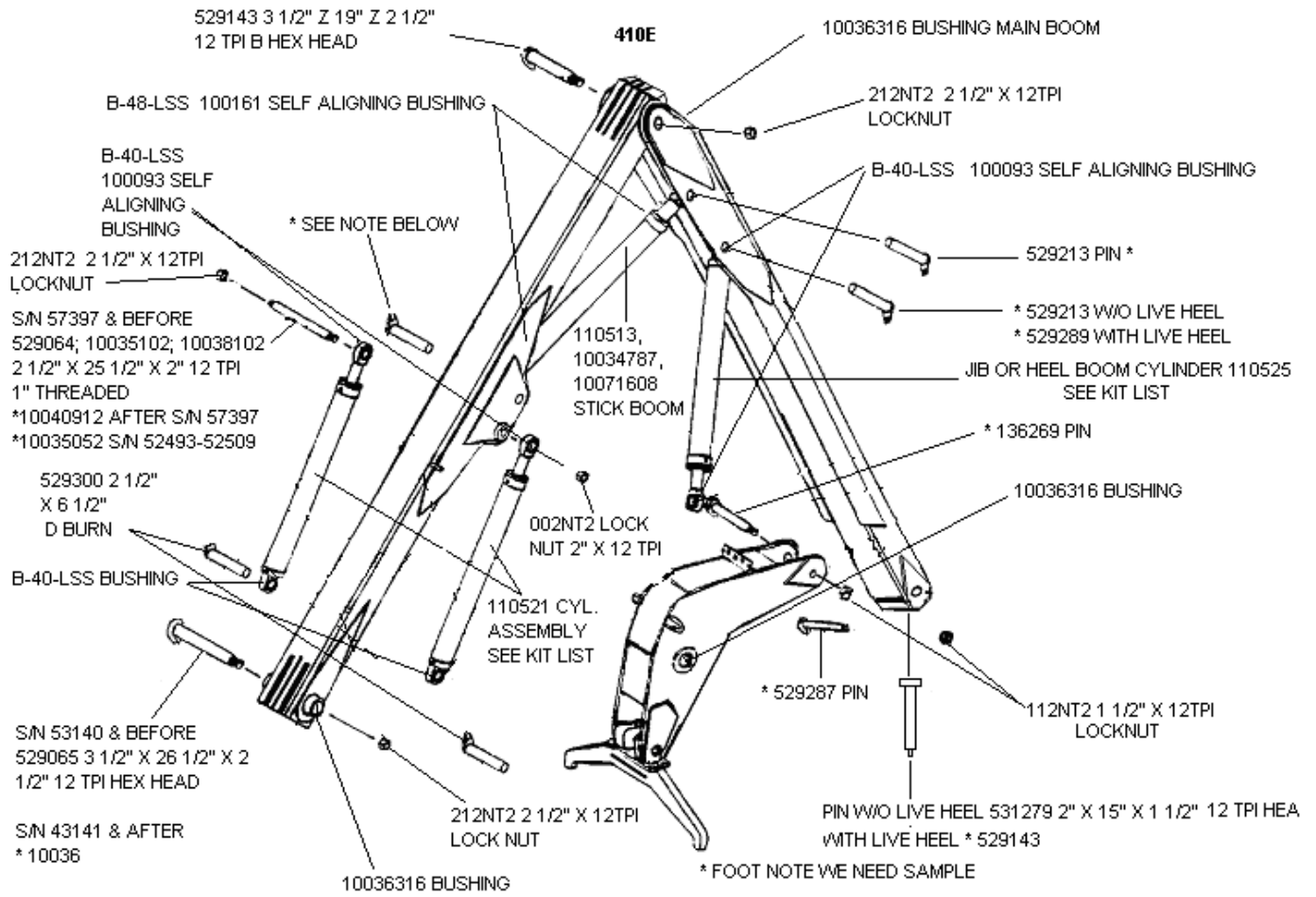
*** MEANS WE NEED SAMPLE**



NOTE: PINS ARE MEASURED UNDER HEAD TO END OF PIN!!!



PART NUMBERS AND DESCRIPTIONS ARE FOR REFERENCE ONLY!!!



10036395 S/N 53025; 53126; 53135; 53616 3" X 6.375" X 1 1/2" 12 TPI D BURN TEAR DROP
 10036455 S/N 53617 AND AFTER 3" X 8" X 1 1/2" 12 TPI D BURN TEAR DROP
 10034310 S/N 53134 THRU EXCEPT 53025



NOTE: PINS ARE MEASURED UNDER HEAD TO END OF PIN!!!



PART NUMBERS AND DESCRIPTIONS ARE FOR REFERENCE ONLY!!!

CYLINDER KITS IN STOCK FOR 410 D & E

CYLINDER PART NUMBERS

KITS

110552 STABILIZER	147111; 9-12-94 AND BEFORE
110552 STABILIZER	10032275; 9-12-94 THRU 10-25-95
110552 STABILIZER	10034629; 10-25-95 AND AFTER
10070376 STABILIZER	10070337
10071420 STABILIZER	30007115
110340 STEERING	10032265; 9-12-94 AND AFTER
110340 STEERING	10028680; 9-12-94 AND BEFORE
110360 STEERING	10032264
10036403 TILT CAB	10034620
10070480 TILT CAB	10070475
110513 STICK	147794
110513 STICK	10032276
110513 STICK	10034630
10034787 STICK	10034630
10071608 STICK	30007155
110525 JIB (HEEL)	147111; 9-12-94 AND BEFORE
110525 JIB (HEEL)	10032275; 9-12-94 THRU 10-25-94
110525 JIB (HEEL)	10034629; 10-25-94 AND AFTER
110521 MAIN BOOM	147111; 9-12-94 AND BEFORE
110521 MAIN BOOM	10032275; 9-12-94 THRU 10-25-95
110521 MAIN BOOM	10034629; 9-25-95 AND AFTER



PART NUMBERS AND DESCRIPTIONS ARE FOR REFERENCE ONLY!!!

PINS, BUSHINGS, SWIVEL, AND NUTS FOR CYLINDERS IN STOCK!!!

102063	BUSHING	530937	PIN	10038471	PIN
102511	BUSHING	531097	PIN	10048122	BUSHING
102555	BUSHING	531279	PIN	8381472	HYDRO-AX
102559	BUSHING	531489	PIN		
112189	PIN	543933	PIN		NYLOCK NUTS
129141	SWIVEL	560812	BUSHING	112NT2	1 ½" SAE
136314	PIN	561348	PIN	134NF2	1 ¾" SAE
136316	PIN	562540	PIN	002NT2	2" SAE
136318	PIN	562542	PIN	212NTS	2 ½" SAE
136322	PIN	10000032	PIN		
136323	PIN	10000123	PIN		
136338	PIN	10000416	PIN		
136422	PIN	10000977	PIN		
136436	PIN	10005498	PIN		
136445	PIN	10005506	PIN		
136439	PIN	10010043	HYDRO-AX PIN		
136461	PIN	10012996	PIN		
136462	PIN	10012998	PIN		
518284	BUSHING	10024246	PIN		
519308	BUSHING	10024321	PIN		
520364	BUSHING	10024322	PIN		
529064	PIN	10024323	PIN		
529065	PIN	10028267	PIN		
529143	PIN	10035102	PIN		
529215	PIN	10036317	PIN		
529300	PIN	10036395	PIN		
530718	PIN	10036455	PIN		
530720	PIN	10037102	PIN		

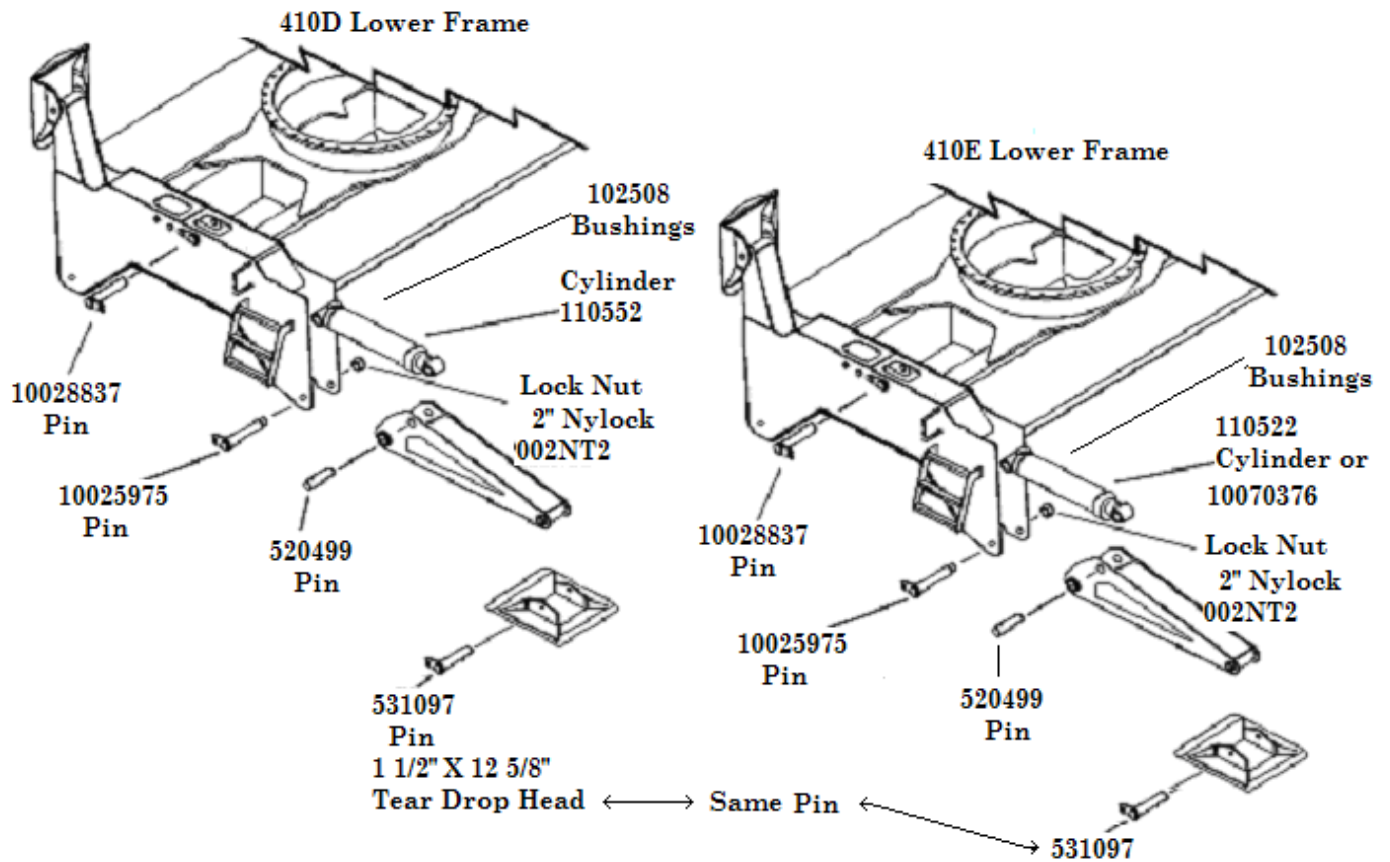
910-298-5178

910-298-5511

1-800-767-5178



PART NUMBERS AND DESCRIPTIONS ARE FOR REFERENCE ONLY!!!



410D	CYLINDER 10070376	KIT 10070337
410E	CYLINDER 110552	KIT 10034629

BOTH CYLINDERS USE (3) 102508 BUSHINGS

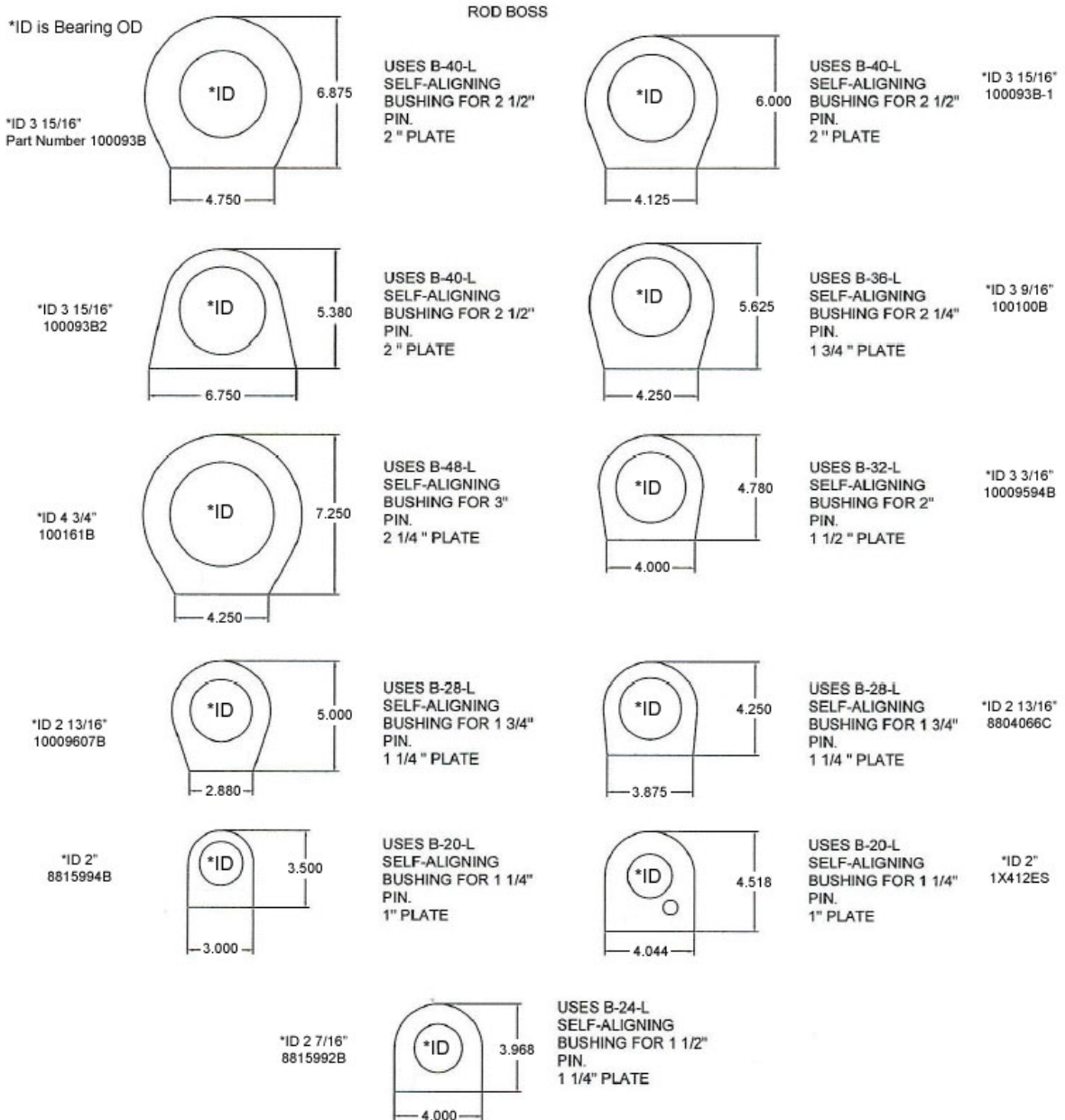


NOTE: PINS ARE MEASURED UNDER HEAD TO END OF PIN!!!



PART NUMBERS AND DESCRIPTIONS ARE FOR REFERENCE ONLY!!!

ROD BOSES





PART NUMBERS AND DESCRIPTIONS ARE FOR REFERENCE ONLY!!!

NEW PARTS AVAILABLE FOR 120 PRENTICE

PINS

702317	2"X1"X12 TPI	1.495 HEX HEAD
10003180	2"X8.250X12 TPI	1.495 HEX HEAD
561304	2"X11"X12 TPI	1.495 HEX HEAD
561305	2"X8.5625X12 TPI	1.495 HEX HEAD
561306	2"X9.60X12 TPI	1.495 HEX HEAD
701482	2"X10"X12 TPI	1.495 HEX HEAD
564297	1.75"X7"X12 TPI	1.495 HEX HEAD
564298	1.75"X8"X12 TPI	1.495 HEX HEAD
565653	2"X9"X12 TPI	1.495 HEX HEAD
10001182	2"X2"X9.375"X12 TPI	1.495 HEX HEAD
562542	2"X11.5"X1.5"X12 TPI	1.495 HEX HEAD
306980	1.25X21.75X1.234X7 TPI	STUD BOLT
560110	TUBE ASSEMBLY	
560101	TUBE ASSEMBLY	
112230	ROD ASSEMBLY	

PRENTICE KITS

- 10029790
- 10034622
- 10034629
- 10032265
- 10034621
- 10070119
- 30009634